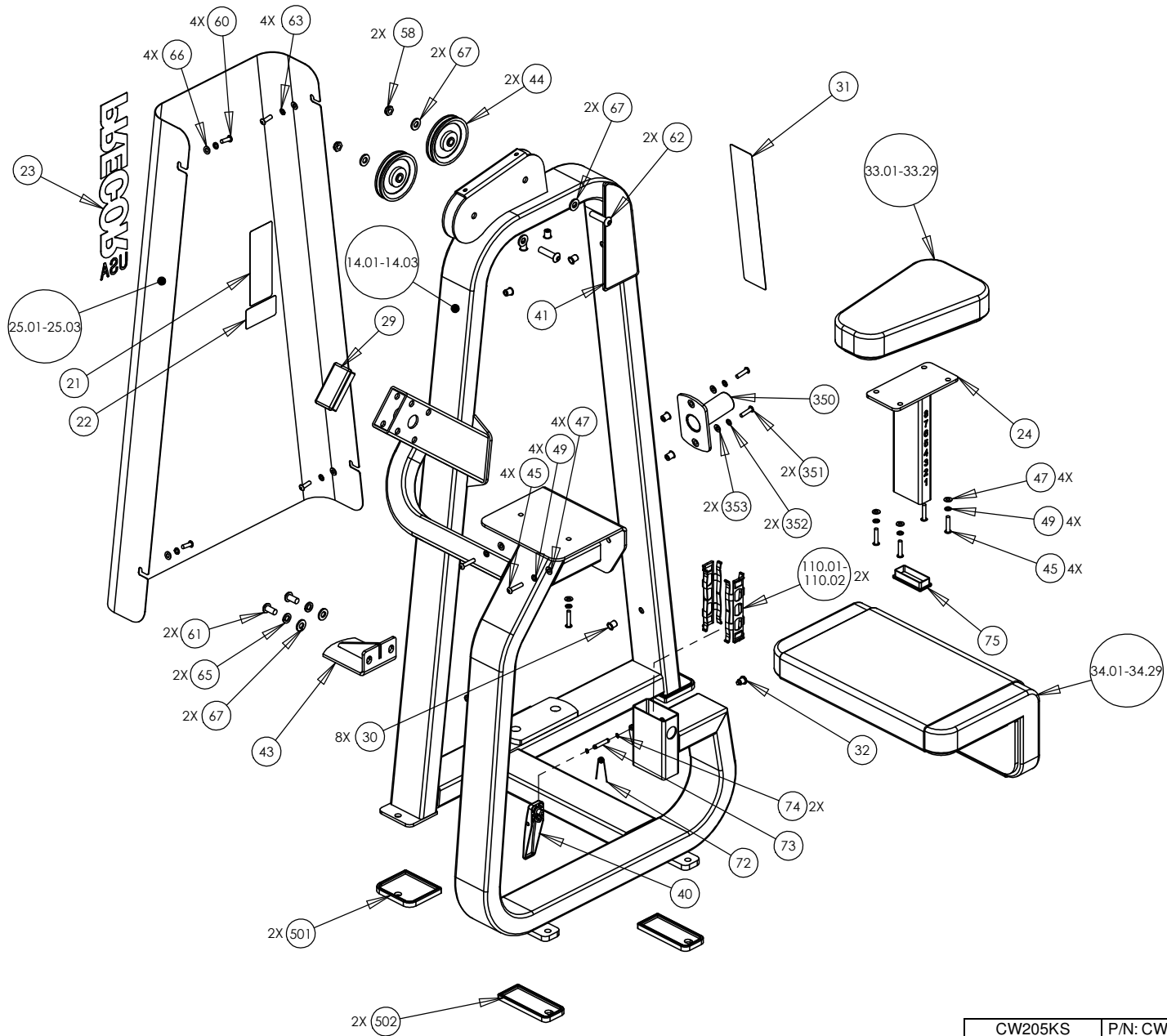
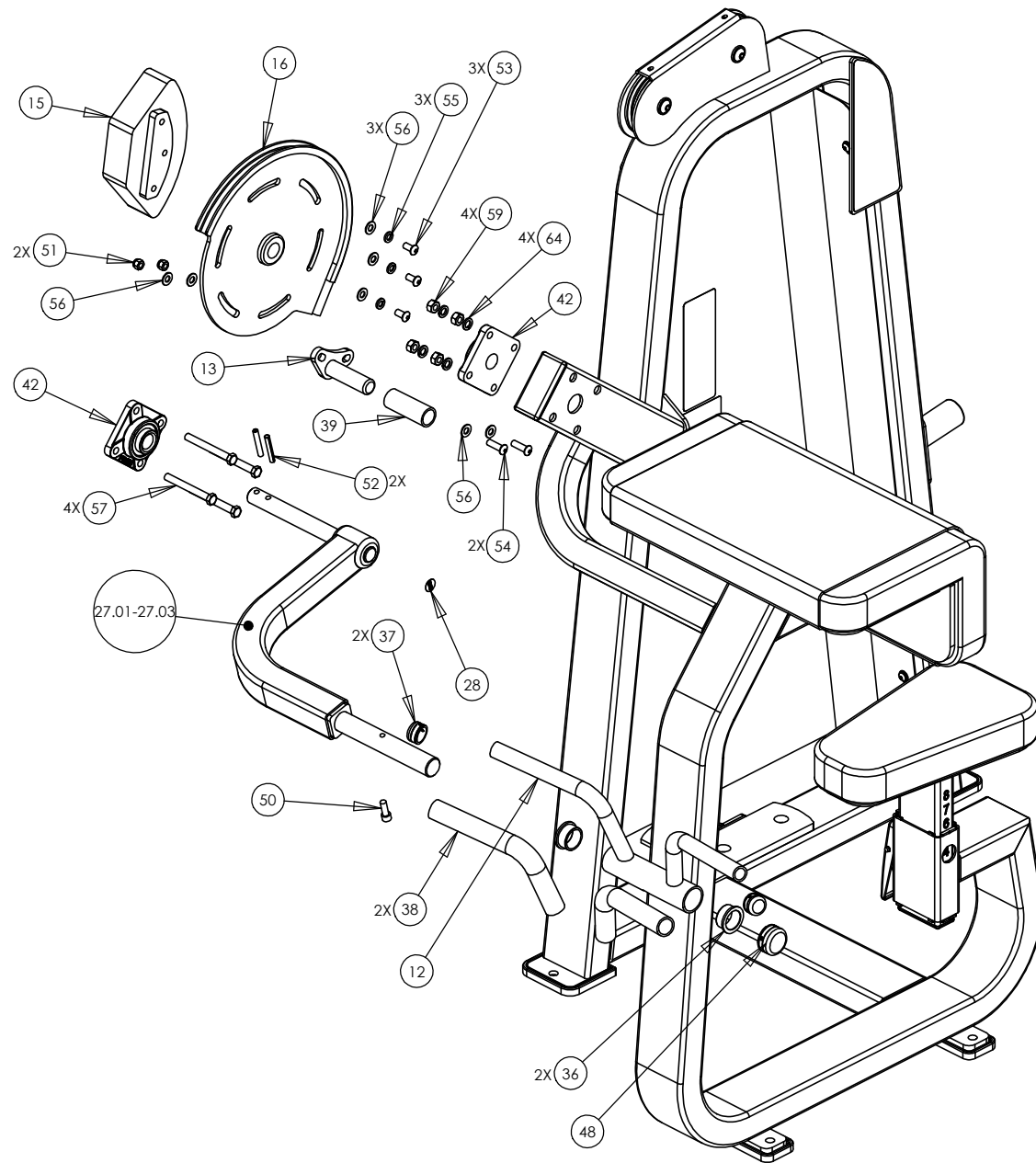


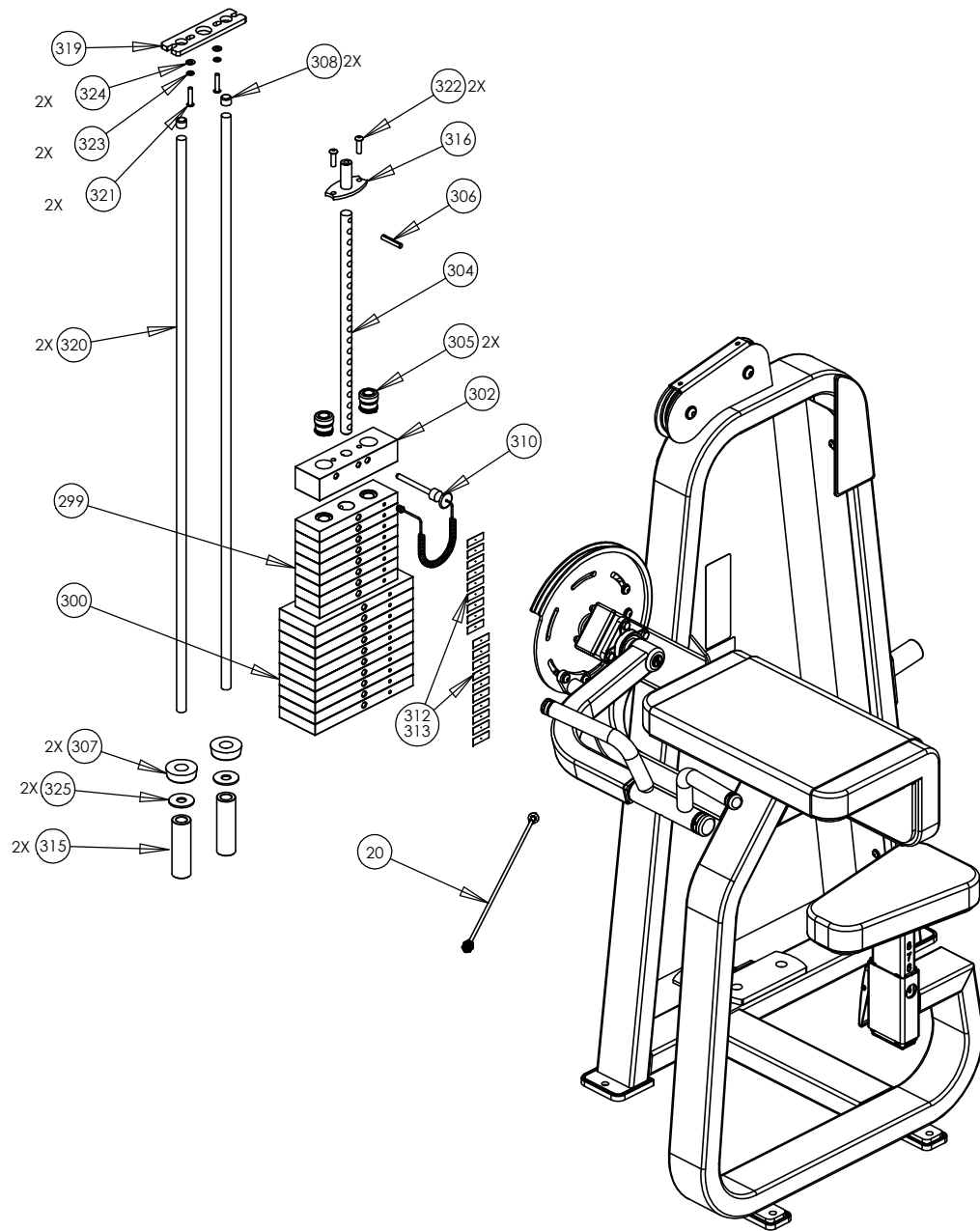
CW205KS	P/N: CW32844-101	SUBREV: C
DRAWN BY: VLE	DATE: 05.05.09	SHEET 1 OF 4



CW205KS	P/N: CW32844-101	SUBREV: C
DRAWN BY: VLE	DATE: 05.05.09	SHEET 2 OF 4



CW205KS	P/N: CW32844-101	SUBREV: C
DRAWN BY: VLE	DATE: 05.05.09	SHEET 3 OF 4



CW205KS	P/N: CW32844-101	SUBREV: C
DRAWN BY: VLE	DATE: 05.05.09	SHEET 4 OF 4

205KS Bicep Curl

Part Number	Description	Bubble Number
CW32895-721	ASSY, CAMBER & BICEP CURL, HANDLE,	12
CW32896-732	ASSY, CAM, STOP, BLACK ZINC	13
CW32802-301	WELDMENT, FRAME, MAIN, CW205KS, CUS	14.02
CW32802-321	WELDMENT, FRAME, MAIN, CW205KS, TIT	14.03
CW32907-721	ASSY, COUNTER WEIGHT, 2.00", WRINKL	15
CW32911-721	ASSY, SMALL CAM, CCW, WRINKLE BLK	16.01
CWCLGH064-250	ASSY, CABLE, CW205KS	20
CW30010-102	LABEL,WARNING STRENGTH	21
CW30011-102	LABEL,WARNING WEIGHT STACK	22
CW32215-711	ASSEMBLY, SEAT ADJUSTMENT, 8 HOLE,	24
CW32091-301	ASSY, SHROUD, #5, CUSTOM	25.02
CW32091-321	ASSY, SHROUD, #5, TITANIUM, HG	25.03
CW32892-211	ASSY, ARM, BICEP & TRICEP, SKY WHIT	27.01
CW32892-301	ASSY, ARM, BICEP & TRICEP, CUSTOM	27.02
CW32892-321	ASSY, ARM, BICEP & TRICEP, TITANIUM	27.03
CWAC1232-101	LABEL, ROUND, "PIVOT"	28
CW11311-102	ENDCAP, REC TUBE, 2X4, BLK PLASTIC	29
CW12537-109	NUT,INSERT,THIN-NUT,LARGE FLANGE	30
CW31756-101	LABEL, PRECOR USA ICARIAN LINE	31
CW31784-731	STOP PLUG, BLK ZN	32
CWPD1207A-101	PAD,5X9X14.5,4HOLES,BLACK	33.01
CWPD1210J-101	PAD,ANGL,2PC(7.5X22)(9.69X22),BLK,	34.01
CW10433-111	BSHNG,FLNGD,1.5ODX1.25IDX.75,IGUS R	36
CWAC218-901	HANDLE END CAP W/SET SCREWS, DIA 1"	37
CWGR4611-000	GRIP, RUBBER, 1.00" OD HANDLE, 11.0	38
CWGR4603-125	GRIP, RUBBER, 1.00" OD HANDLE, 3.13	39
CW32460-221	ASSY, RATCHETING LEVER, BLACK	40
CW33343-101	ASSY, PLACARD, 205KS	41
CW12405-101	PILLOW BLOCK, BEARING, FLANGE, 4 BO	42
CW33286-731	WELDMENT, STABILITY FOOT,BLACK ZINC	43
CWAC1009-101	PULLEY, 4 1/2 DIA X 1/2 ID	44
CWTAYN031-150	SCREW, BUTTON HEAD, BLK XYLAN, 5/16	45
CWAC1236-104	GUIDE INSERT, PLASTIC WITH HOLE, BL	46
CWWBKN031-007	WASHER, FLAT, TYPE A, SAE, 5/16 ID	47
CWAC221-901	SHAFT END CAP W/SET SCREWS, DIA 1 1	48
CWWALYN031-008	WASHER, SPLIT, 5/16 ID, BL	49
CWKDYN038-045	LOCKNUT, NYLON INSERT, FULL, UNC, 3	51
CWLDNN031-200	SLOTTED PIN SPRING, DIA 5/16 X 2.00	52
CWTAYN038-075	SCREW, BUTTON HEAD, BLK XYLAN, 3/8	53
CWTAYN038-125	SCREW, BUTTON HEAD, BLK XYLAN, 3/8	54
CWWALYN038-009	WASHER, SPLIT, 3/8 ID, BLK XYLAN	55
CWWBKN038-007	WASHER, FLAT, TYPE A, SAE, 3/8 ID	56
CWHCYN044-375	SCREW, HEX HEAD, BLK XYLAN, 7/16-	57
CWKAYN050-031	LOCKNUT, NYLON INSERT, HALF, UNC, 1	58
CWKMYN044-038	NUT, HEX, UNC, 7/16-14, BLK XYLAN	59
CWTAYN031-100	SCREW, BUTTON HEAD, BLK XYLAN, 5/16	60
CWTAYN050-100	SCREW, BUTTON HEAD, BLK XYLAN, 1/2	61
CWTAYN050-200	SCREW, BUTTON HEAD, BLK XYLAN, 1/2	62

CWWALYN031-008	WASHER, SPLIT, 5/16 ID, BL	63
CWWALYN044-011	WASHER, SPLIT, 7/16 ID, BLK XYLAN	64
CWWALYN050-013	WASHER, SPLIT, 1/2 ID, BLK XYLAN	65
CWWBKN031-007	WASHER, FLAT, TYPE A, SAE, 5/16 ID	66
CWWBKN050-010	WASHER, FLAT, TYPE A, SAE, 1/2 ID X	67
CW12634-101	SPRING, TORSION 90 DEG X 0.484 X 0.	72
CW31770-742	LATCH PIVOTING PIN, CLR ZN	73
CWAMNN028-003	RING, RETAINING, 2-TURN, SPIRAL, SS	74
CWAC1133-101	BUSHING, WEIGHT PLATE, LDPE PLASTIC	203
CW30171-741	PIN, WEIGHT STACK, 4.00 INCHES, ZN	225
CW10505-721	ASSY, PLATE, WEIGHT, 05 LBS, WRKL B	299
CW10510-721	ASSY, PLATE, WEIGHT, 10 LBS, WRKL B	300
CW10550-723	PLATE, WEIGHT, MED TOP (MTP-S), 10	302
CW30132-712	SELECTOR STEM, 20 PLATE,0.875 DIA,	304
CW30184-902	ASSY,BARREL, TOP PLATE,ALUMINUM,TALL	305
CW58004-101	WEIGHT STACK BUSHING KIT, KS SERIES	305
CWLDNN038-200	SLOTTED PIN SPRING, DIA 3/8 X 2	306
CW12402-101	BUMPER, ID 1.050, BLK RUBBER	307
CW12404-101	CAP, GUIDE ROD,DIA 3/4, BLK	308
CW33870-102	ASSEMBLY, 5" WEIGHT STACK PIN & LEA	310
CW32936-101	WEIGHT STACK LABELS, 10-200, STRAIG	312
CW32933-101	WEIGHT STACK LABELS, 10-150, STAGGE	313
CW33323-721	STACK RISER, 5 INCH, WRINKLE BLACK	315
CW32663-741	WELDMENT, BOLT ON TOP PLATE MINI ST	316
CWPF1016-732	BAR,,FLAT CR/HR, 3/8 X 2 X 8 1/4, 3	319
CWPF1214-711	GUIDE ROD,STEEL,OD 3/4 X 52 5/8, CH	320
CWTAYN031-150	SCREW, BUTTON HEAD, BLK XYLAN, 5/16	321
CWTAYN038-125	SCREW, BUTTON HEAD, BLK XYLAN, 3/8	322
CWWALYN031-008	WASHER, SPLIT, 5/16 ID, BL	323
CWWBKN031-007	WASHER, FLAT, TYPE A, SAE, 5/16 ID	324
CWWCKN075-015	WASHER, FLAT, TYPE A, WIDE, 3/4 ID	325
CW32933-101	WEIGHT STACK LABELS, 10-150, STAGGE	328
CW32936-101	WEIGHT STACK LABELS, 10-200, STRAIG	333
CW31772-741	ASSY, ADD-ON WEIGHT HORN, CLEAR ZIN	350
CWTAYN031-150	SCREW, BUTTON HEAD, BLK XYLAN, 5/16	351
CWWALYN031-008	WASHER, SPLIT, 5/16 ID, BL	352
CWWBKN031-007	WASHER, FLAT, TYPE A, SAE, 5/16 ID	353
CWAC1177-101	FLOOR PROTECTOR, RUBBER, 4.563 X 4.	501
CWAC1178-101	FLOOR PROTECTOR, RUBBER, 2.563 X 6.	502
CW58004-101	WEIGHT STACK BUSHING KIT, KS SERIES	600